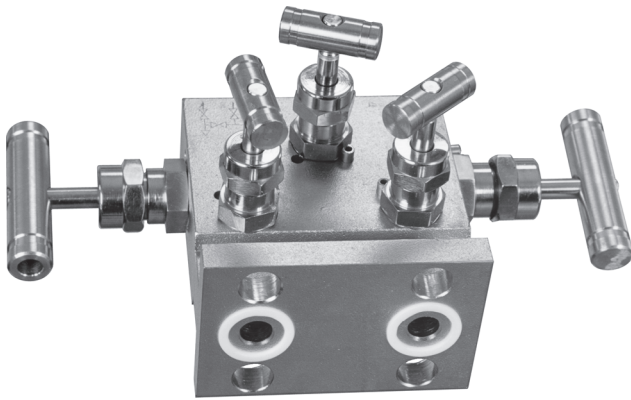
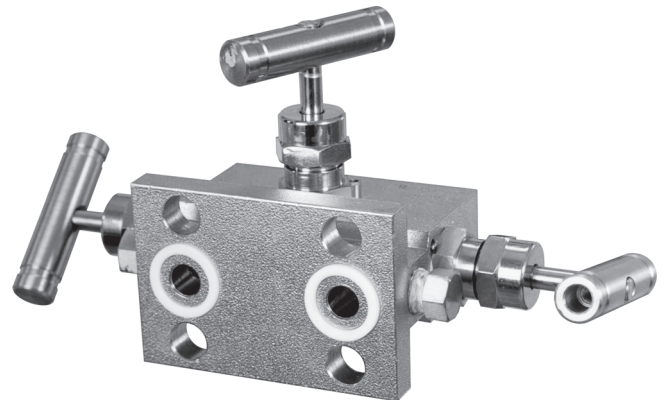


VM-3 and VM-5 valve manifolds

✓ Body material – stainless steel (316ss)



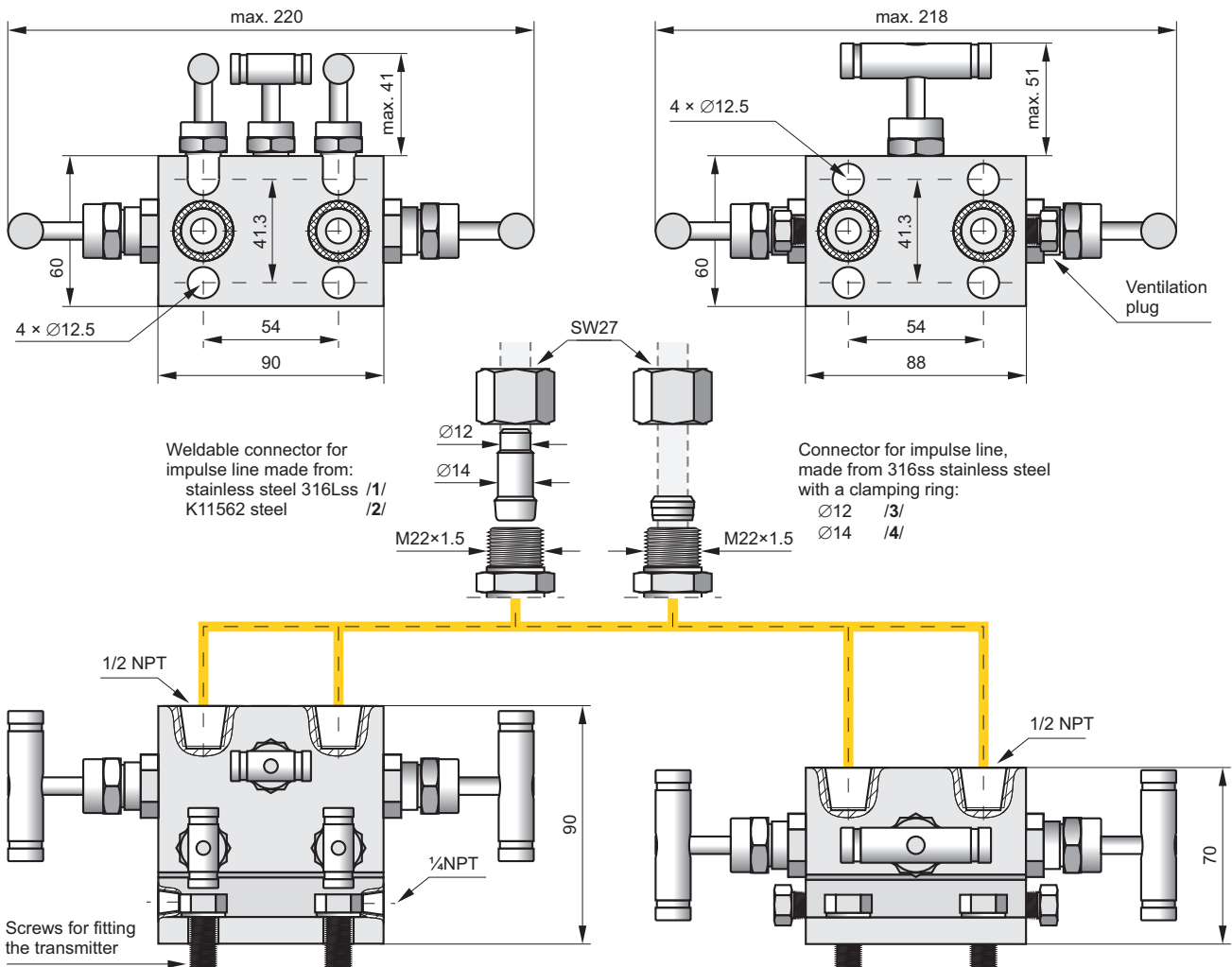
VM-5 valve



VM-3 valve

Features

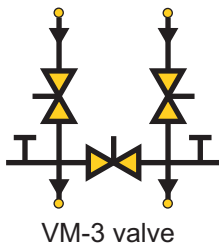
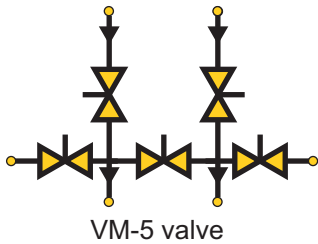
3-valve and 5-valve manifolds are used where relative pressure transmitters are installed. They enable essential operations to be performed on the transmitters, such as starting up a transmitter or setting the zero position in conditions of static or atmospheric pressure. The five-valve manifold also enables a calibrator to be connected for metrological testing of the transmitter. The VM-3 and VM-5 have a modern lightweight construction. The high precision of manufacture enables individual valves to be opened and closed easily.



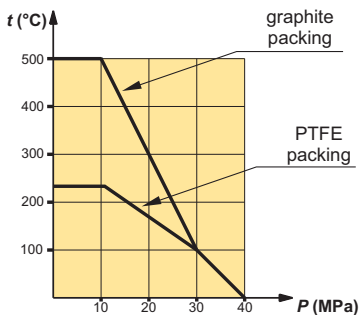
Technical parameters

Maximum pressure	420 bar (according to the graph)
Pin packing	PTFE or graphite
Body material	316ss
Weight: VM-3	1.8 kg
VM-5	2.54 kg
Connectors:	
to the installation	– 1/2" NPT sockets
to the transmitter	– 54 mm spacing

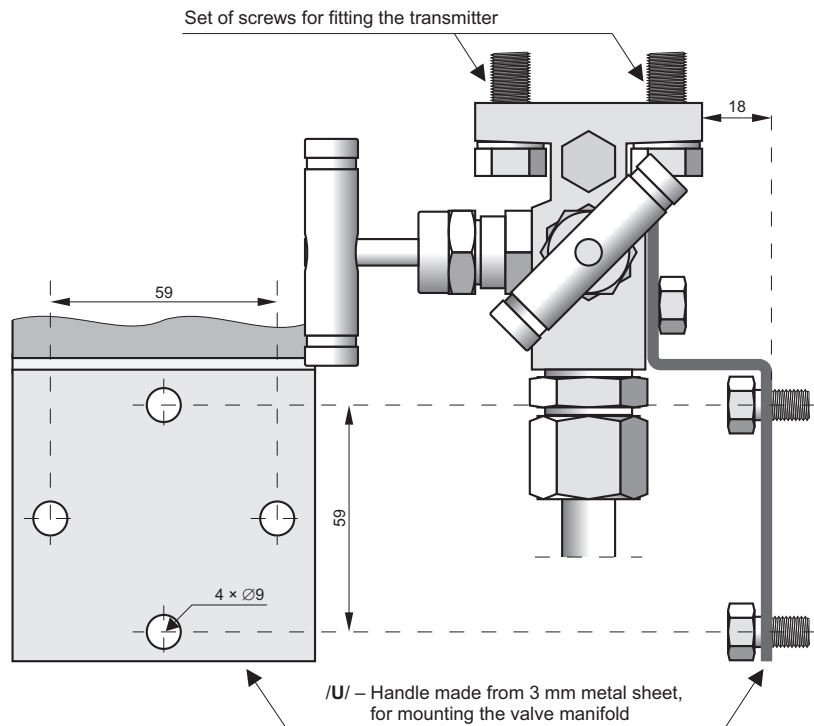
Connection diagrams



Operating pressure range as a function of temperature

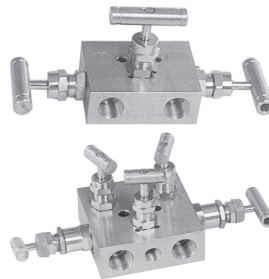


Example of installation of the VM-3 with fitting accessories

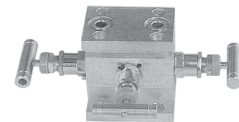


Special versions

Versions R



Versions H



Recommendations concerning selection of valves

The standard versions of the valves have Teflon pin packing; a special version is available with graphite packing. The special version should be used only when the valves operate at temperatures in excess of 200°C.

The valve manifold is supplied with seals for the collar-type output points. To order, it can be supplied additionally with a set of M10 or 7/16" screws for fitting the transmitter, connectors for impulse lines and a sheet-metal handle used to mount the valve on the construction.

Ordering procedure

Valve manifolds:

3-valve – VM-3 / / /

5-valve – VM-5 / / /

Special versions:

H – constructional versions (only VM-3)

R – constructional versions

Graphite – graphite pin packing

Tlen – valve adapted to contact with oxygen

NACE – NACE MR-01-75 comply

Additional equipment – description:

Code

Product

A	Set of M10 screws for fitting the transmitter (up to 250 bar)
B	Set of 7/16" × 1" screws for fitting the transmitter (up to 413 bar)
C	Set of 7/16" × 2 1/4" screws for fitting the transmitter with covers type COPLANAR
1	Set of weldable stainless steel connectors (316ss)
2	Set of weldable steel connectors (K11562)
3	Set of connectors with Ø12 clamping ring
4	Set of connectors with Ø14 clamping ring
U	Handle for mounting the valve